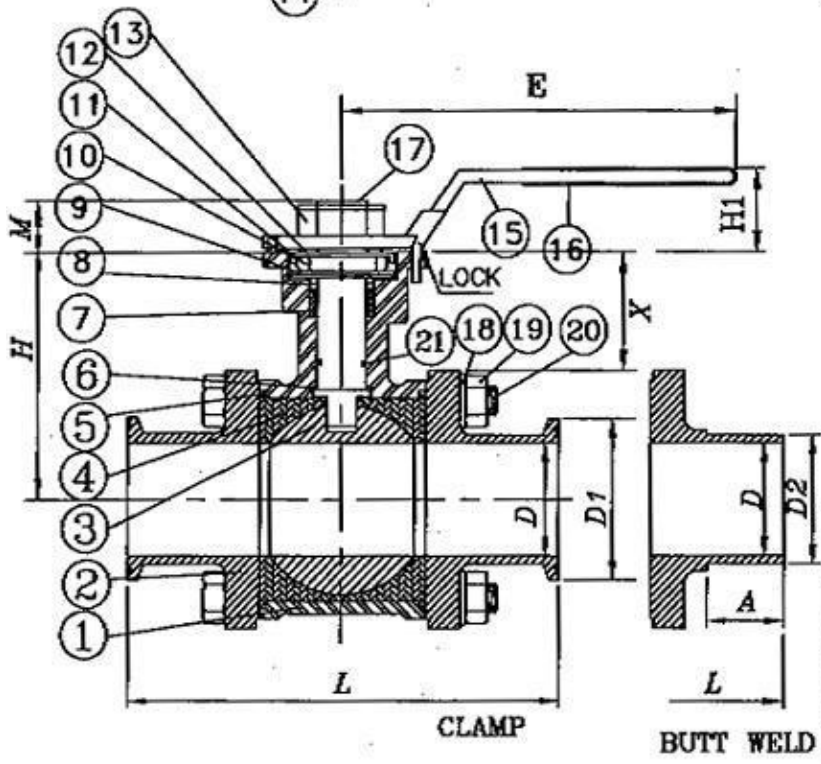


NO.	PARTS NAME	MATERIAL	QTY
1	BODY	AISI 304/316/316L	1
2	CAP	AISI 304/316/316L	2
3	BALL	AISI 304/316/316L	1
4	SEAT	PTFE/TFM1600	2
5	GASKET	PTFE	1
6	THRUST PACKING	PTFE	1
7	STEM PACKING	PTFE	1
8	RING	AISI 304	2
9	BELLEVILLE WASHER	AISI 304	2
10	STEM NUT	AISI 304	1
11	LOCK WASHER	AISI 304	1
12	RING	AISI 304	1
13	HANDEL NUT	AISI 304	1
14	STOP PIN	AISI 304	1
15	HANDEL	AISI 304	1
16	HANDEL SLEEVE	PLASTIC	1
17	STEM	AISI 316	1
18	SPRING WASHER	AISI 304	4,8,12
19	BOLT NUT	AISI 304	4,8,12
20	BOLT	AISI 304	4,6
21	O-RING	VTOM	1



- \* Full cavitet filled seats
- \* Blow-out proof stem
- \* Investment casting body and cap
- \* 1000PSI(63BAR)1/2"~2"
- 800PSI(40BAR)2-1/2"~4"
- \* Clamp end:3A standard;Butt weld end
- \* Direct mounting pad ISO 5211;Square stem
- \* Inside port Ra≤0.4

3A SIZE		ISO-5211	D ±0.5	L ±1.0	H	M ±1.5	øB1	øB2	K	D1	E	D2	H1	A	C1	C2	TURTED INCH/LBS	X
15	1/2"	F03-F04	9.5	89	37.0	9	36	42	9	25.4	143	12.7	26	18	6	6	90	15.5
20	3/4"	F03-F04	15.9	101	47.0	9	36	42	9	25.4	143	19.1	26	21	6	6	100	20.6
25	1"	F04-F05	22.2	114	57.2	11	42	50	11	50.4	160	25.4	34	25	6	8	140	29.0
40	1-1/2"	F05-F07	35.0	140	78.2	14	50	70	14	50.4	187	38.2	43	28	8	10	240	39.0
50	2"	F05-F07	47.6	156	86.2	14	50	70	14	63.8	187	50.8	43	25	8	10	480	42.0
65	2-1/2"	F07-F10	60.3	197	109.2	17	70	102	17	77.6	310	63.5	53	35	10	12	650	48.0
80	3"	F07-F10	73.0	229	117.7	17	70	102	17	91.0	310	76.2	53	43	10	12	1150	48.7
100	4"	F10-F12	97.4	241	141.2	22	102	125	22	119.0	400	100.6	56	37	12	14	1400	34.0

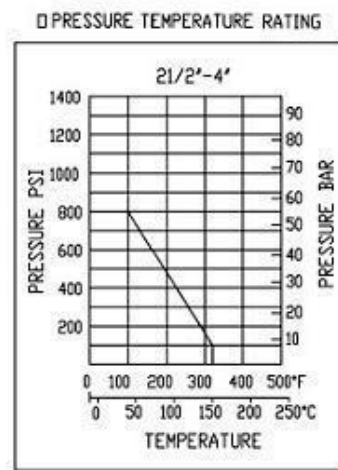
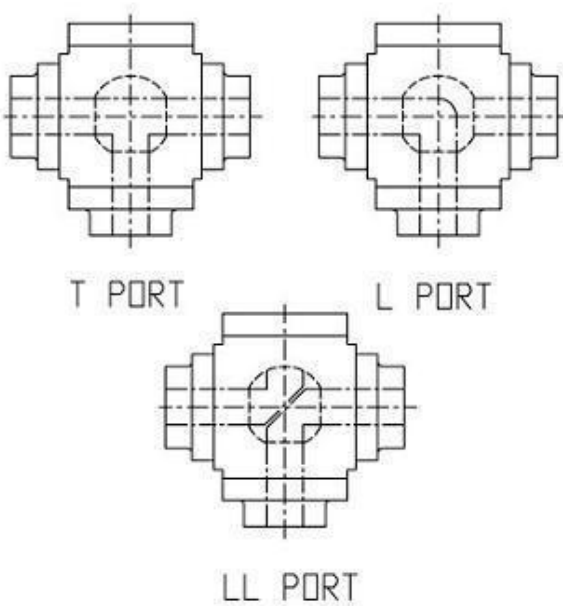
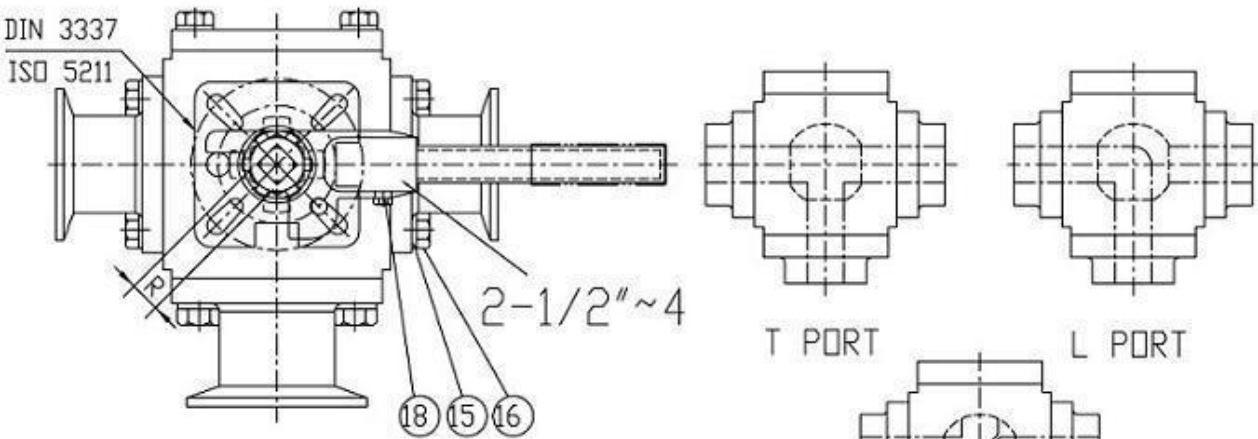
## 2 way Sanitary Ball Valve



# Eaglesky Co. Ltd.

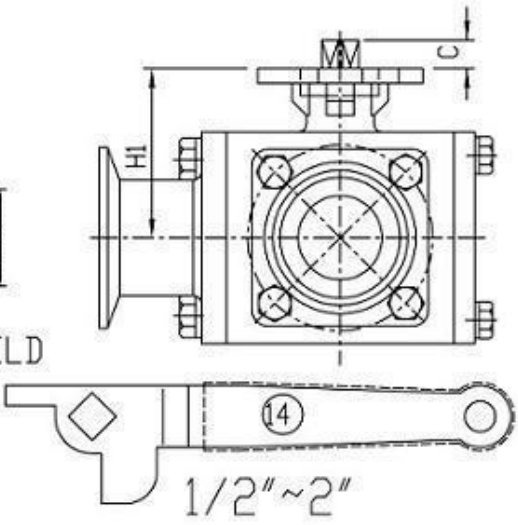
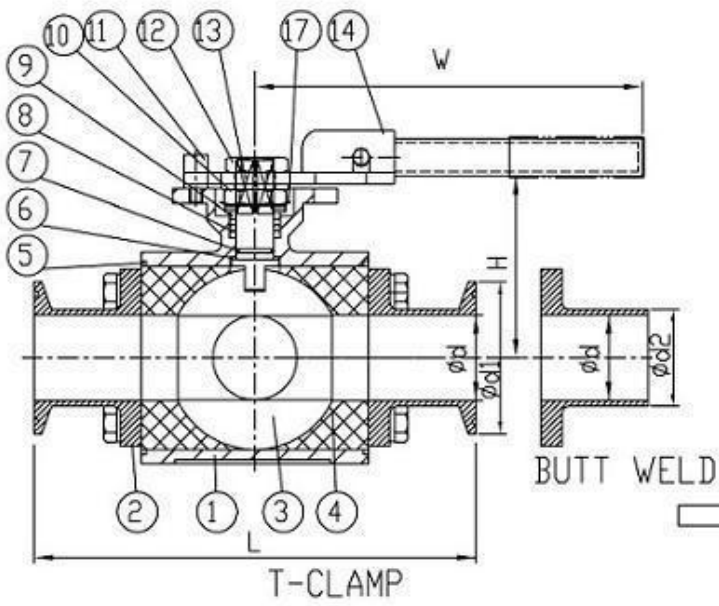
Tel:+886-4-2693 3688#255 Fax:+886-4-2693 3696

Email: eaglesky@hibox.hinet.net



□ MATERIAL OF CONSTRUCTION

ITEM	PARTS	MATERIAL	Qty
1	BODY	A351-CF8M	1
2	CAP	A351-CF8M	4
3	BALL	A351-CF8M	1
4	SEAT	PTFE	4
5	GASKET	PTFE	2
6	THRUST WASHER	PTFE	1
7	O-RING	VITON	1
8	STEM PACKING	PTFE	1
9	RING	AISI 304	1
10	BEVEL WASHER	AISI 301	2
11	STOP PIN	AISI 316	1
12	NUT	AISI 304	2
13	STEM	AISI 316	1
14	HANDLE	AISI 304	1
15	SPRING WASHER	AISI 304	16
16	BOLT	AISI 304	16
17	PREVALING DEVICE	AISI 304	1
18	NUT	AISI 304	1



□ DIMENSION(M.M.)

SIZE	DN	ISO-5211	W	H	H1	C	L	φd	φd1	φd2	R	TOQUE IN/LBS
1/2	15	F03/F04	121	78	44.5	9	118	9.5	25.4	12.7	9	79
3/4	20	F03/F04	121	82	48	9	127	15.8	25.4	19.1	9	85
1	25	F04/F05	137	90	59	11	152.4	22.2	50.4	25.4	11	110
1-1/2	40	F05/F07	182	110	72	14	175	35	50.4	38.2	14	290
2	50	F05/F07	182	114.7	82	14	180	47.6	63.9	50.8	14	680
2-1/2	65	F07/F10	370	108	100	17	228	60.2	77.5	63.4	17	1060
3	80	F10/F12	400	134	125.5	23	260	73	90.9	76.2	22	1770
4	100	F10/F12	400	140	132.5	23	318	97.4	118.9	101.6	22	1900

3 way/ 4 way  
Sanitary Ball Valve



Eaglesky Co. Ltd.

Tel: +886-4-2693 3688#255 Fax: +886-4-2693 3696

E-mail: eaglesky@hibox.hinet.net